

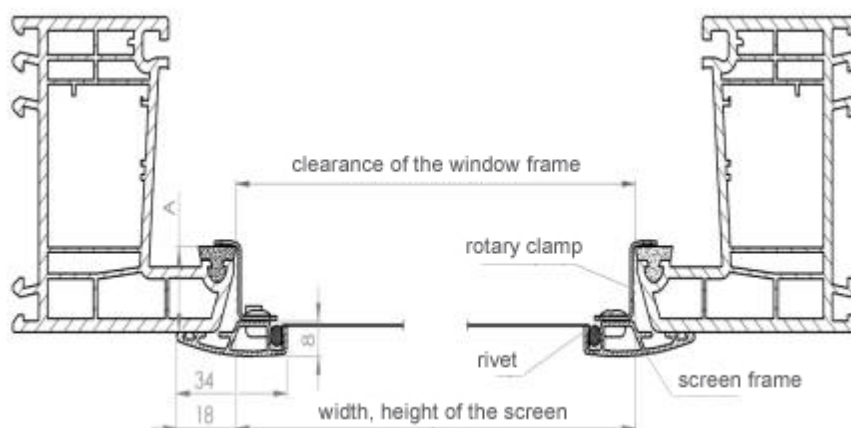
C20 ANTI-INSECT SCREEN

1. MEASUREMENTS

The width and the height of the hole clearance for inserting the screen is measured. The depth of the window frame for fitting the screen = the height of the clamp. Measurements are taken at three points, the lowest value is used. Screens are produced in widths of 300 mm to 2000 mm and heights of 300 mm to 2000 mm.

For the most exact determination of the screen dimensions and the depth of the window frame (clamp) we recommend using a sample frame of a specific screen (C20).

The width of the profile of the frame for the C20 is 34 mm including the collar. The dimensions of the profile are 34 x 8 mm. The frame of the screen intervenes into the clearance of the frame by 16 mm from the edge of the window frame.



2. ASSEMBLY

Assembly is done with rotary clamps from the interior and does not require any drilling or intervention into the window frame. The frame screen is secured by turning. Rotary clamps are riveted to the frame and the height is determined by the depth of the window frame for fitting the screen.

N.B.

The screen is not recommended for windows with drips or any other obstacle that would prevent installation of the screen!

Selection of rotary holders (Fig. 1)

If the dimension is greater than 1,200 mm, then reinforcement is recommended. This recommendation is valid for the length and width of the screen.

